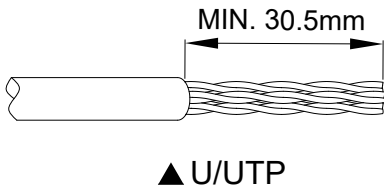


STEP 1:



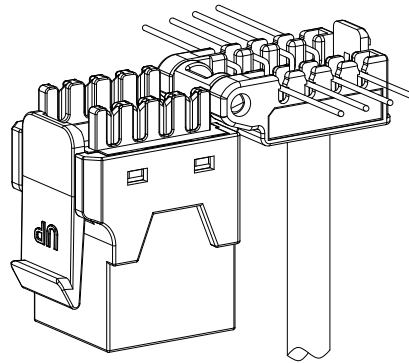
Strip off at least 30.5 mm of jacket from end of cable.

Wire gauges : 22~24 AWG , (solid wire )

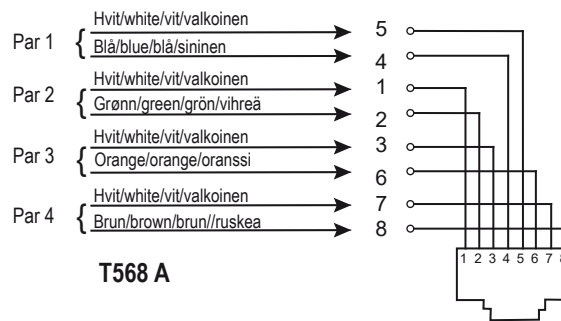
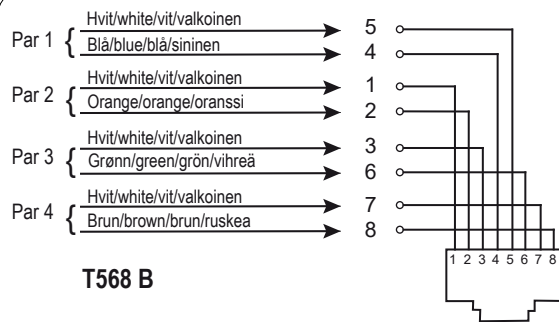
: 22~26 AWG , (stranded wire)

Wires with different AWG cannot be mixed in the IDC

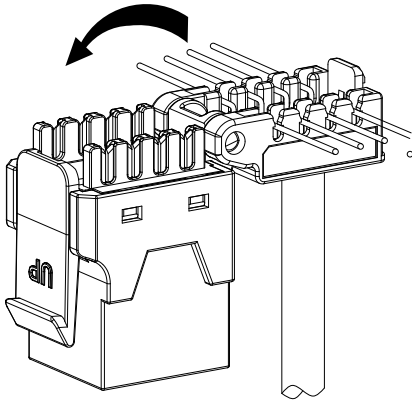
STEP 2:



Lay the wires to the correct groove based on the color code. (T568A / T568B)

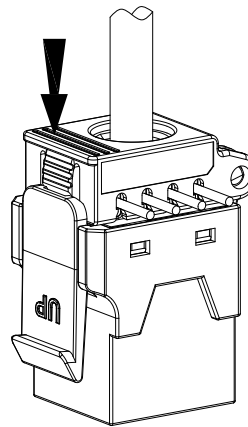


STEP 3:



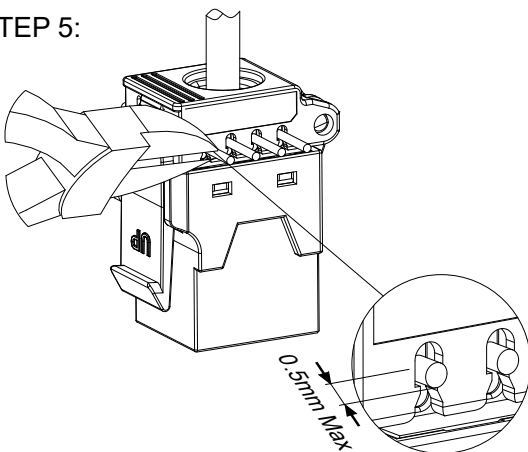
Close the cap.

STEP 4:



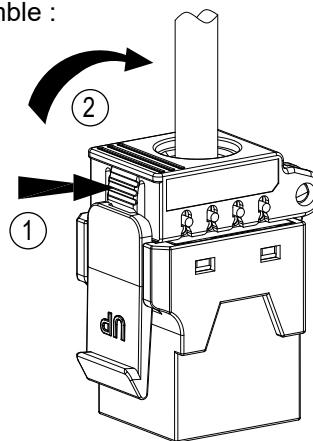
Press the cap to the latch end.

STEP 5:



Cut the excess wires off. The tips of the wires shall protrude no more than 0.5 mm.

Disassemble :



Press the latch and push up.

ELKO Suomi  
Sokerilinnantie 11 C,  
02600 Espoo  
Puh: +358 10 44 66 10  
[www.elko.fi](http://www.elko.fi)

ELKO AB  
Glasfibergratan 8,  
125 45 Älvsjö  
Box 51115, 121 17 Johanneshov  
Tel: +46 8 449 27 27  
[info@elko.se](mailto:info@elko.se)  
[www.elko.se](http://www.elko.se)

ELKO AS  
Sandstuveien 68,  
0680 Oslo  
Pb. 6598 Etterstad, 0607 Oslo  
Tlf.: +47 67 79 39 00  
[support@elko.no](mailto:support@elko.no)  
[www.elko.no](http://www.elko.no)