

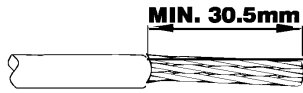


tryggare
närvarande
nyskapande

REVISIONS				
ZONE	REV	DESCRIPTION	DATE	DRAWN
	A	EG17002	01/11'17	EDDIE

INSTRUCTION SHEET

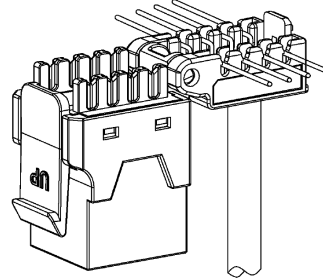
STEP 1:



▲ U/UTP

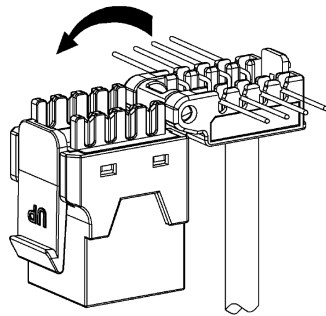
Strip off at least 30.5 mm of jacket from end of cable.
Wire gauges : 22~24 AWG , (solid wire)
: 22~26 AWG , (stranded wire,
AWG can not mixed use.)

STEP 2:



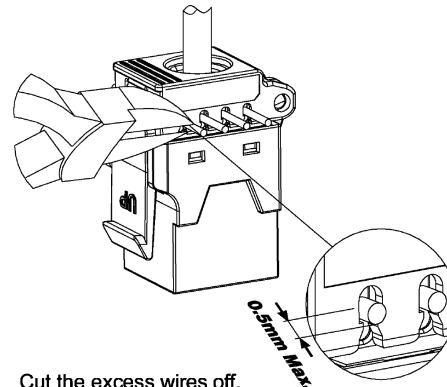
Lay the wires to the correct groove based on the color code. (T568A / T568B)

STEP 3:



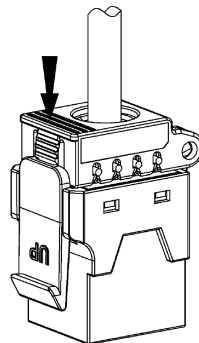
Close the cap.

STEP 4:



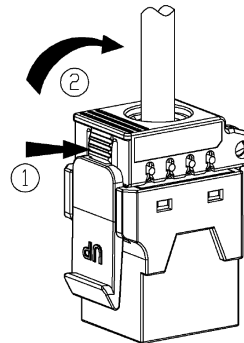
Cut the excess wires off.
The tips of the wires shall protrude no more than 0.5 mm.

STEP 5:



Press the cap to the latch end.

Disassemble :



Press the latch and push up.

UNLESS OTHERWISE SPECIFIED: TOLERANCES		PROJECT ID R2101F-TMH-019EK	ELKO tryggare närvarande nyskapande	
INCH X ± 0.18 X ± 0.004	MM X ± 0.2 X ± 0.07	FILE L4925.dwg	DATE 08/23'16	TITLE E51 402 54
MATERIAL	DRAWN EDDIE	SCALE 1:1		
SURFACE	CHECK	SIZE A4	DRAWING NUMBER L4925	PART NUMBER LL3A06983
FINISH	APPROVED	SCALE 1:1	UNIT mm	SHEET 1 OF 1