

TRANSMISSION PERFORMANCE
 Meet all requirements specified in connecting hardware requirement of ISO/IEC 11801, Category 6A
 IEC 60603-7-51
 ANSI/TIA-568-C.2, Category 6A

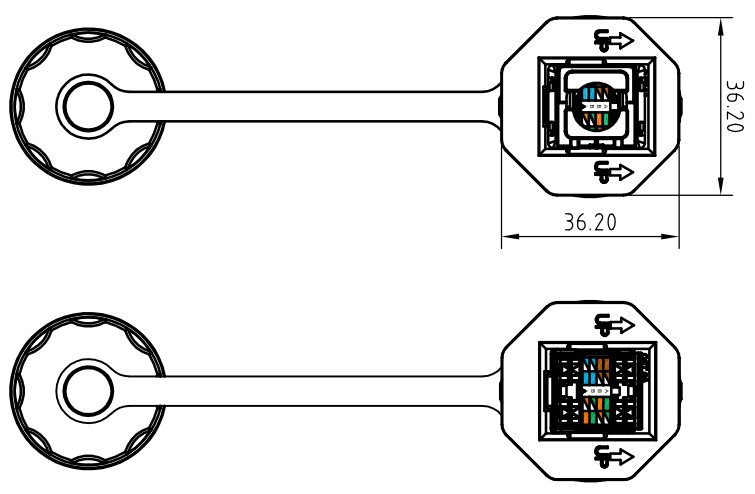
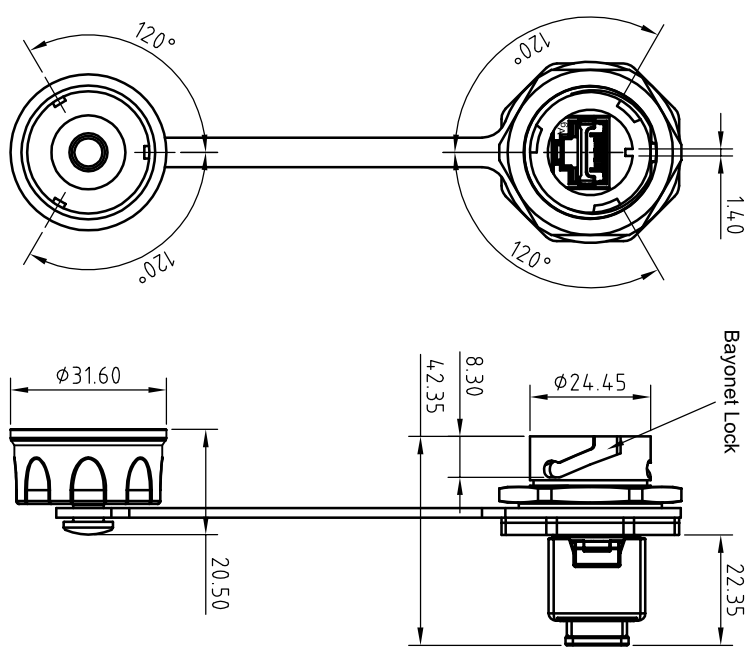
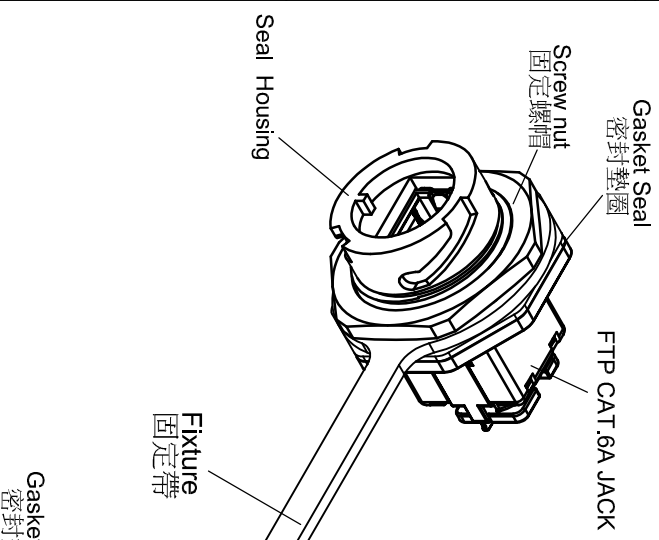
PHYSICAL
 Housing : Zinc-alloy fully shielded
 Spring Wire : Phosphor Bronze Alloy Plated With 50 micro-inch of Gold
 IDC : Phosphor Bronze Alloy With 100 micro-inch 100% Sn Alloy
 International Protection Code meet IP67

ELECTRICAL
 Electrical Insulation Resistance : 500 MΩ
 min. @ 100V d.c.
 Dielectric Withstanding Voltage : 1000V d.c. or a.c.
 Peak Contact to Contact @ 60Hz for 1 minute, 1500V d.c. or a.c.
 Peak Contact to Panel @ 60Hz for 1 minute

MECHANICAL
 Insertion / Extraction Life : 750 Cycles Minimum
 IDC Wire Gauge : 22 ~ 24 AWG

COMPONENTS

ITEM	PART NAME	QTY
1	FTP CAT6A KEYSTONE JACK	1
2	HOUSING(LP1954C)	1
3	Gasket Seal(LP1959)	1
4	Screw Nut(LP1955)	1
5	Fixture(LP1964)	1
6	Seal Cover(LP1957)	1
7	Gasket Seal(LP1961)	1



REVISIONS		DATE	DRAWN
ZONE	REV		
A		04/11/13	NICK

UNLESS OTHERWISE SPECIFIED:
 DIMENSIONS IN MILLIMETERS
 FINISH

PROJECT ID: 2081E-FMAH1E
 FILE: Z3712.dwg
 DATE: 01/31/13
 DRAWN: **Satt**
 CHECK: **Satt**
 APPROVED:

JUSTEC INDUSTRIES INC.
 CAT6A INDUSTRIAL JACK (FTP)
 SIZE: DRAWING NUMBER: Z3712
 SCALE: 1:1 UNIT: MM SHEET: 1 OF 1